



Emergency Push Button

Cat XLP915WEWE

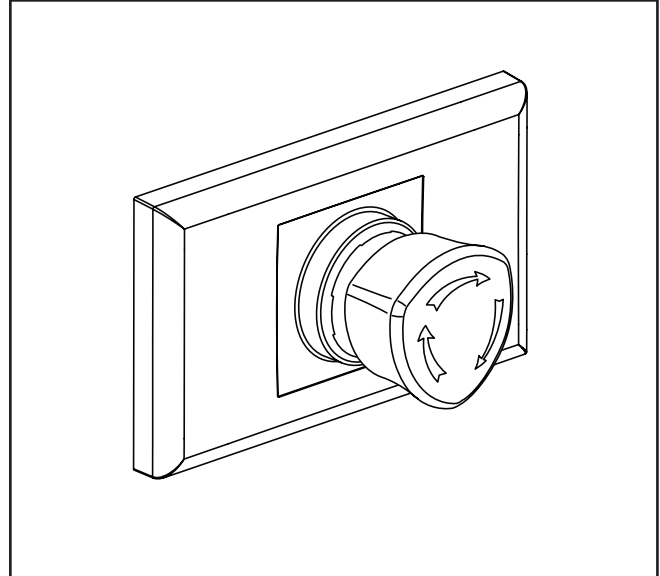
Instruction Manual

1 Specifications

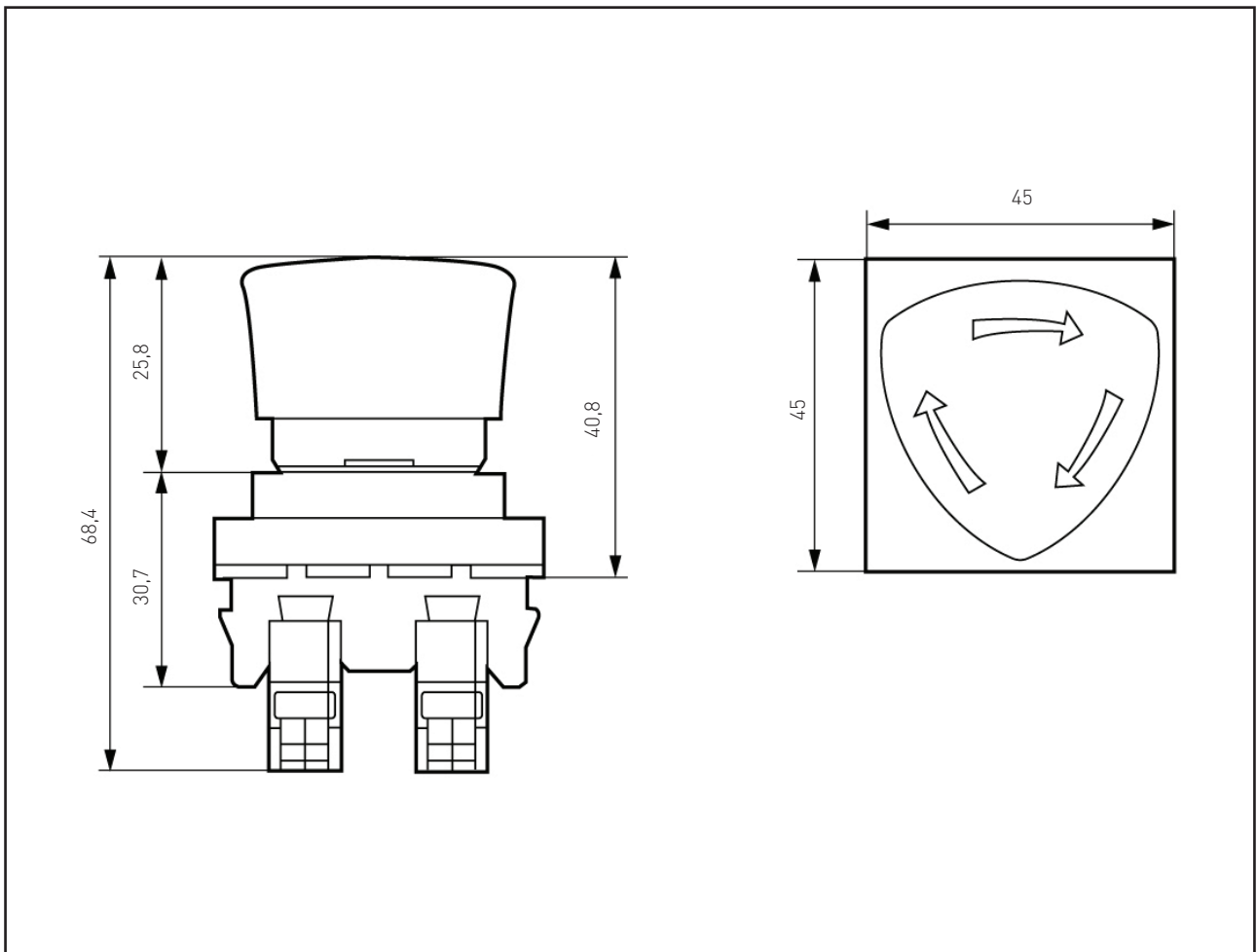
Voltage	250V a.c.
Current	3AX
Terminal capacity	2 x 2.5mm ²
IP rating	IP41
Storage temperature	-10°C to +70°C
Operating temperature	-5°C to +50°C

2 Operation

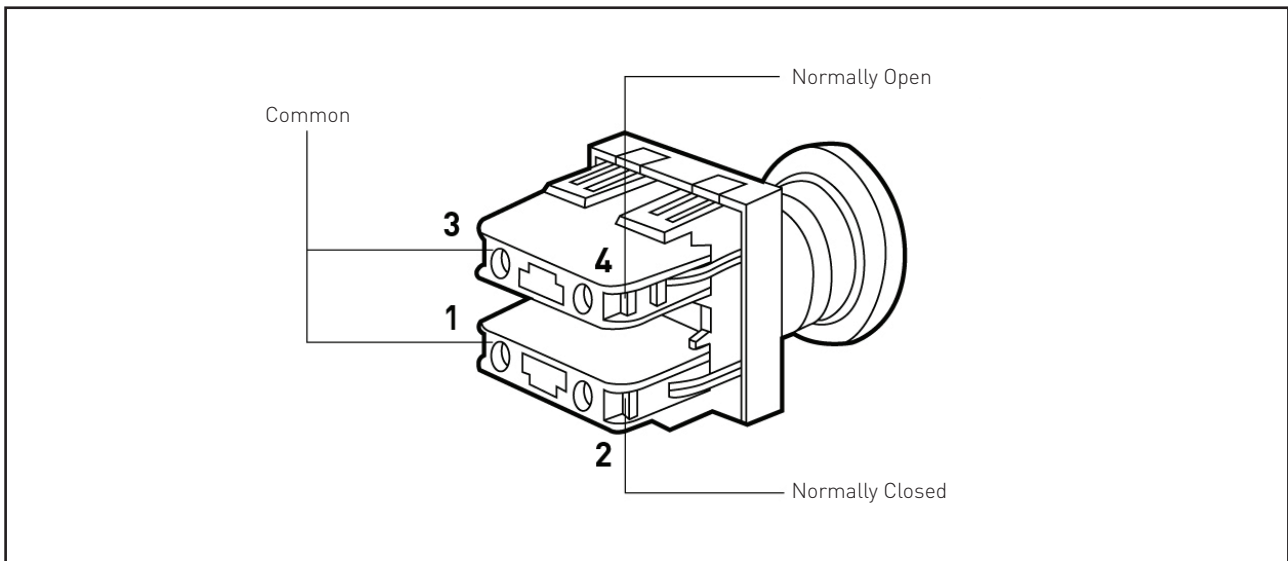
To engage and lock, press on the button.
To unlock, rotate the button 1/4 turn clockwise.
The switch contains both normally open and normally closed contacts.



3 Mechanism Dimensions



4 Wiring



5 Warning

This product must only be connected to the mains supply by a qualified electrician.

Warranty

HPM Cat XLP914WEWE is warranted as here and after appears, against faulty material and/or workmanship for a period of one year from the day of purchase. The obligation of the manufacturer under this warranty is limited to servicing and replacing defective parts when the unit is returned to the authorised place of purchase. To obtain warranty repair, the purchase receipt should be returned with the product. This warranty becomes void on any unit which has been tampered with or damaged by accident, short circuited, loaded beyond rating or damaged otherwise by improper operation. The warranty is also conditional on the unit being installed by a licensed electrical contractor. All other warranties, whether expressed or implied, and whether arising by operation of law or otherwise are hereby excluded.

Customer Service

For all customer service and technical support please call Monday to Friday during business hours.

HPM Legrand Australia
1300 369 777
www.hpm.com.au

HPM Legrand - New Zealand
0800 476 009
www.hpm.co.nz

Legrand Australia Pty Ltd
ABN: 31 000 102 661

A Group Brand |  **legrand**[®]